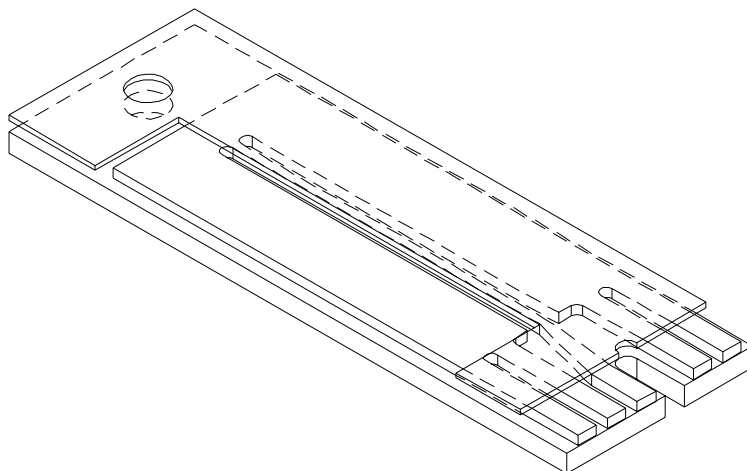


# Model ER0250

---

## Atmospheric Probe



**Model ER0250** is a probe used to monitor corrosion in atmospheric environments. The probe consists of an element which is mounted onto an epoxy board. One side of the element is exposed to the corrosive environment while the other side is covered, acting as a reference element. The ER0250 connects to a special cable that allows it to be used with electrical resistance probe instrumentation. Replacement elements may be ordered without cable. The probe comes with a 3/16" hole for easy mounting.

### Specifications:

**Probe Body** - Epoxy

**Temperature Rating** - 250°F / 121°C

**Standard Element Sizes** - 4 or 8 mils (useful range is half of thickness)

### Metal Samples Corrosion Monitoring Systems

*A Division of Alabama Specialty Products, Inc.*

152 Metal Samples Rd., Munford, AL 36268 Phone: (256) 358-4202 Fax: (256) 358-4515

E-mail: [msc@alspi.com](mailto:msc@alspi.com) Internet: [www.metalsamples.com](http://www.metalsamples.com)

**Houston Office:** 8811 Kensington Court, LaPorte, TX 77571 Phone: (281) 471-2777 Fax: (281) 471-3405

## ER0250 Ordering Information

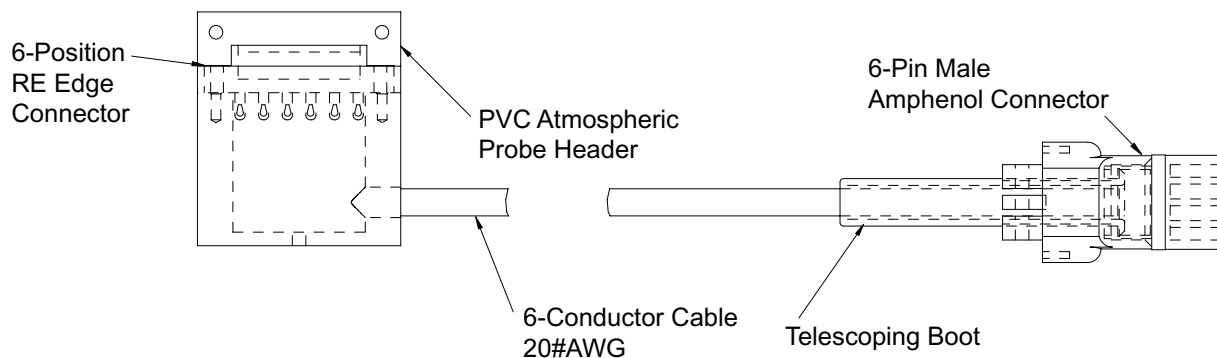
Model					
AP21	Atmospheric Probe				
	<b>Element Thickness</b>				
	04	4 mil thickness (2 mil useful probe life)			
	08	8 mil thickness (4 mil useful probe life)			
	<b>Element Alloy</b>				
	XXX	Use Code in Alloy Chart			
<b>Cable Length</b>					
	00	No cable			
	10	10 ft cable			
	20	20 ft cable			
<b>AP21</b>	<b>08</b>	<b>375</b>	<b>20</b>	<b>Example of Probe Ordering #</b>	

For alloys, sizes, or other special requirements not listed, contact our sales department.

Alloy Chart					
Code	Description	UNS #	Code	Description	UNS #
375	C1010	G10100	159	316L SS	S31603
538	5Cr 1/2Mo	K42544	A12	C276	N10276
541	9Cr 1Mo	K90941	602	Alloy 625	N06625
186	410 SS	S41000	419	CDA110	C11000
141	304 SS	S30400	434	CDA443	C44300

Note: Not all alloys are available with all element types and seals.

### Atmospheric Probe Extension Cable Assembly



Part # : PS5602XXX

where XXX = length in feet (Ex: 020 = 20 feet)